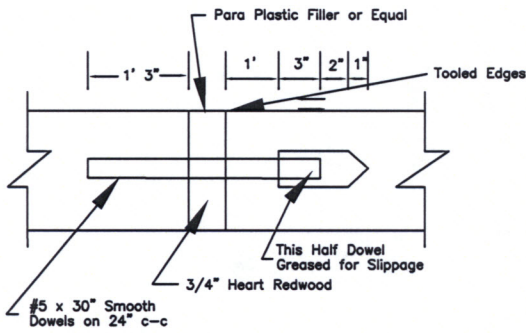
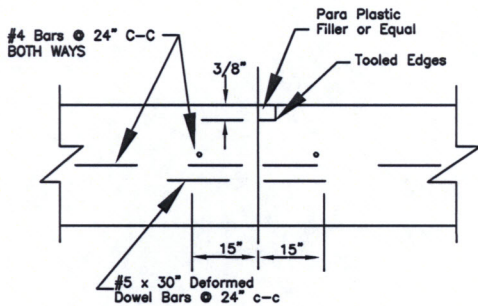


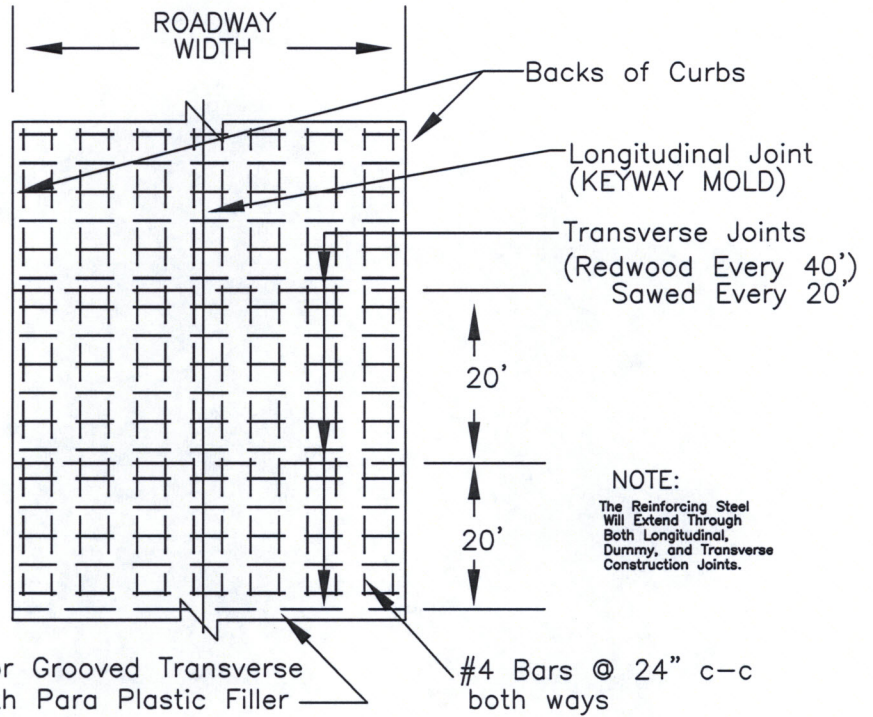
THE CITY MAY REQUIRE TESTS ON ALL PHASES OF STREET CONSTRUCTION



EXPANSION JOINT
DETAIL



LONGITUDINAL
CONSTRUCTION JOINT
DETAIL



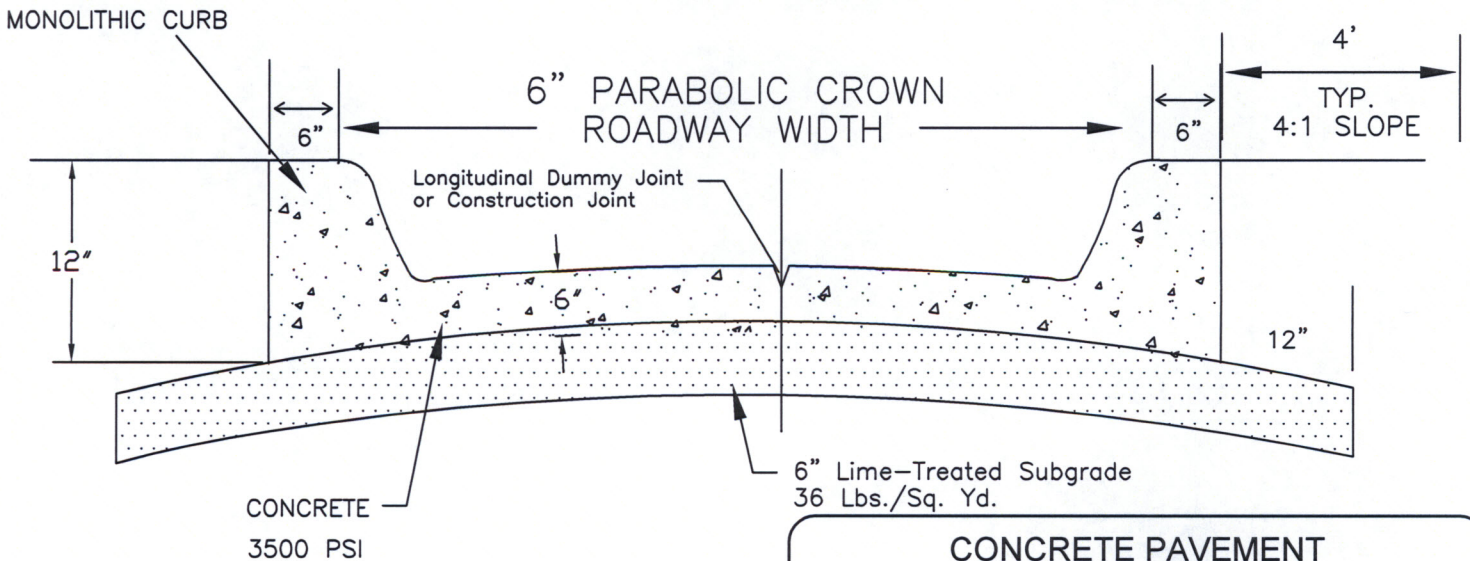
Sawed or Grooved Transverse
Joint with Para Plastic Filler

#4 Bars @ 24" c-c
both ways


NOTE:
The Reinforcing Steel
Will Extend Through
Both Longitudinal,
Dummy, and Transverse
Construction Joints.

REINFORCEMENT PLAN

SAWED JOINT EVERY 20', REDWOOD EVERY 40'
USE KEYWAY MOLD FOR CENTERLINE LONGITUDINAL
JOINT. CURB & GUTER MONOLITHIC WITH PAVEMENT.



SUBGRADE TO BE 95% OF
TEX 113-E. TEST METHOD

CONCRETE PAVEMENT 6" REINFORCED		
		CITY OF GREENVILLE PUBLIC WORKS DEPARTMENT
DRAWN: K. Colbert	SCALE: NTS	DRAWING NO. 25003
DATE DRAWN: 3-12-01	DATE REVISED: 8-15-07	