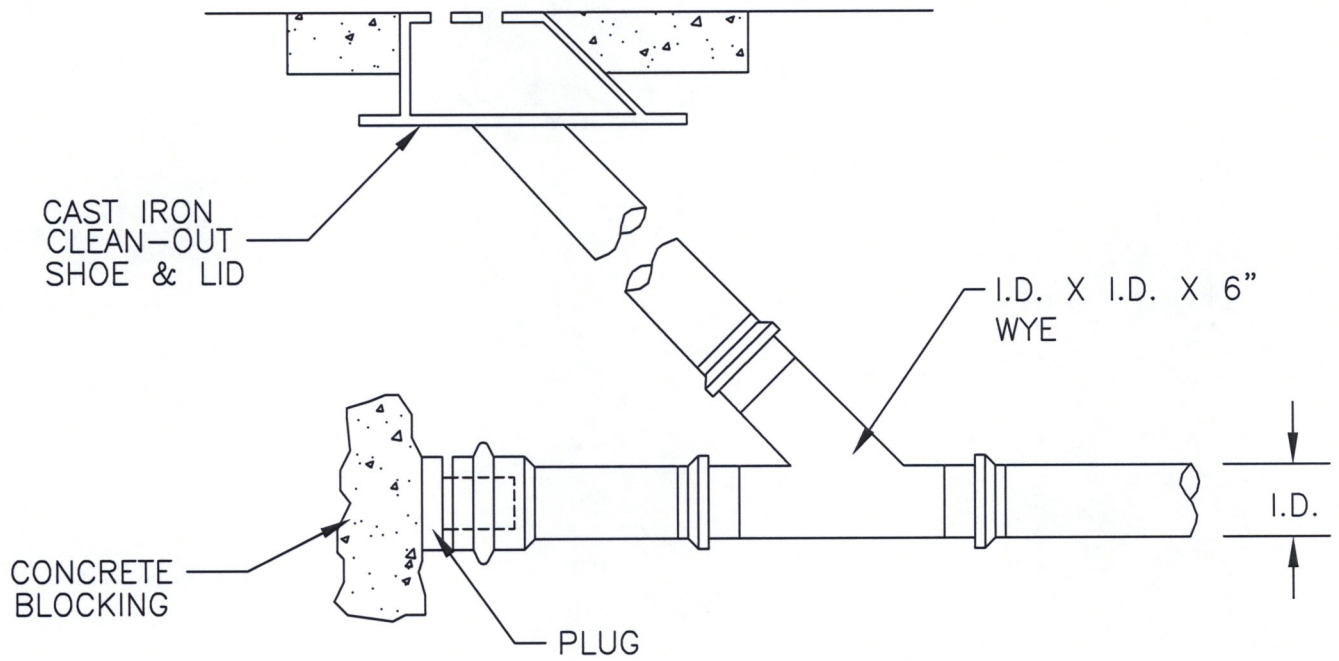
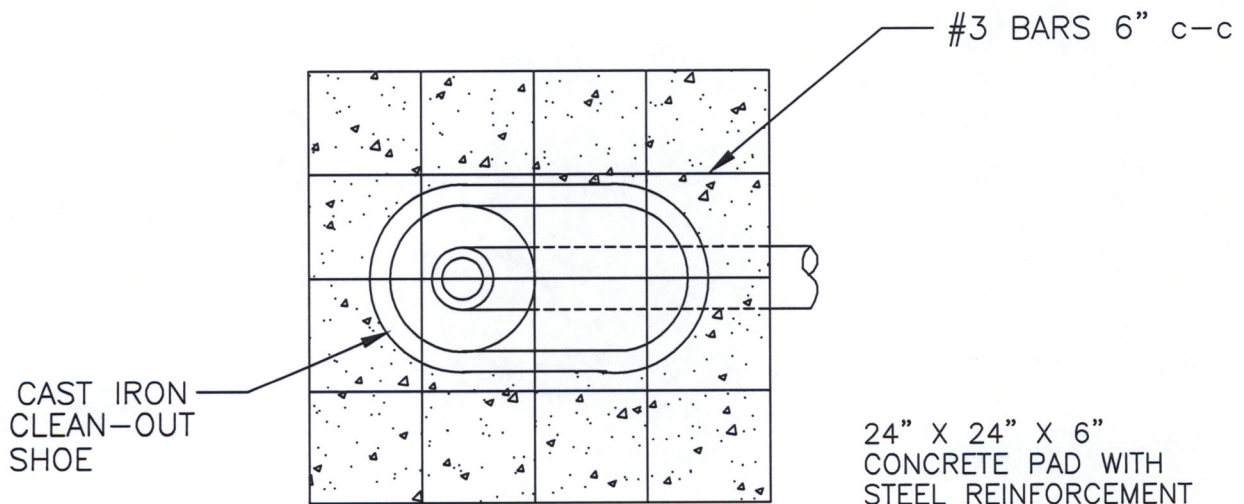



# TYPICAL MAIN LINE CLEAN-OUT FOR SANITARY SEWER



SIDE VIEW



TOP VIEW

<b>MAIN LINE CLEANOUT</b>		
		CITY OF GREENVILLE PUBLIC WORKS DEPARTMENT
DRAWN: K. Colbert	SCALE: NTS	DRAWING NO. <b>27007</b>
DATE DRAWN: 2-14-01	DATE REVISED: 8-15-07	