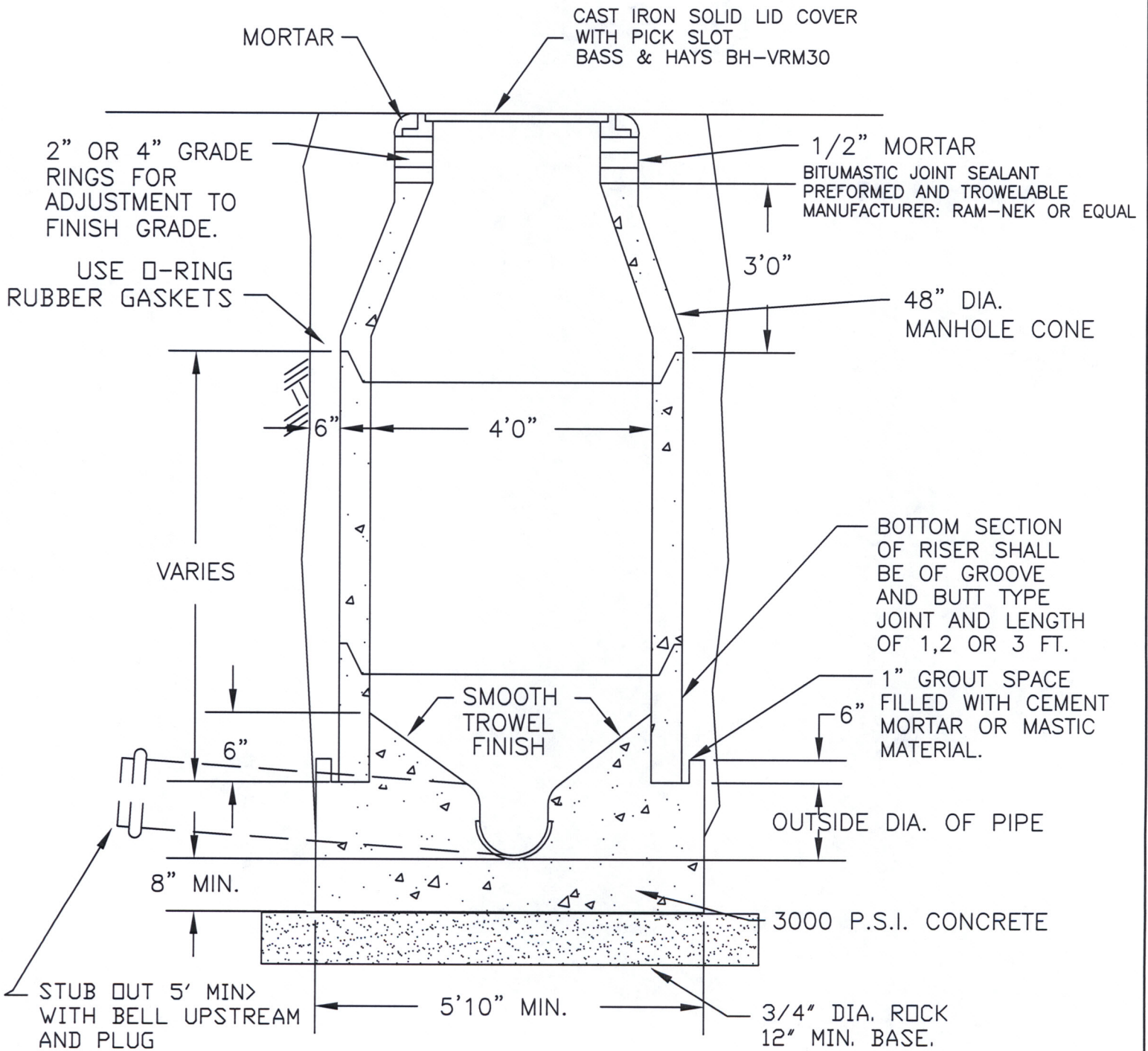



DETAIL OF PRECAST MANHOLE ASTM C478



NOTE: MANHOLE RISERS CAN BE FROM ASTM C76 CLASS III R.C.P.

EXTERIOR SURFACE COAT
KOPPERS "BITUMASTIC SUPER SERVICE BLACK" TNE MEC "46-450 HEAVY TNE MECOL" OR EQUAL 14 MILS DRY

PRECAST MANHOLE		
		CITY OF GREENVILLE PUBLIC WORKS DEPARTMENT
DRAWN: K. Colbert	SCALE: NTS	DRAWING NO. 27004
DATE DRAWN: 2-14-01	DATE REVISED: 6-28-11	